

# Milano Auto Faucet<sup>®</sup>

with Surround Sensor Technology<sup>™</sup>



## Automatic Faucet System

- **Delivering Cost-Effective Customer Delight...** provides the user water ONLY when needed, resulting in reduced water usage up to 70% and associated costs — win-win solution.
- **World-Class Reliability...** breakthrough “surround sensor” technology (no infrared) senses user from any angle, patented “dry” cam-gear technology controls water flow and eliminates sticking solenoid valves that cause dripping — trouble-free operation.
- **Ease of Installation...** all mechanical and electrical components are contained in one covered housing for easy installation — customer convenience maximized.
- **Radius<sup>™</sup> Touch-Free Technology...** systems won't corrode or fail because our proprietary “dry” cam-gear design keeps all electronics away from water flow. Rubbermaid Commercial Products' exclusive technologies enable our systems to be the most accurate on the market delivering error-free, precise performance and are sophisticated enough to compensate for users and the environment.

Description:	Kit	Single Hole Mount	4" Center Set	8" Center Set
Polished Chrome	1	1903286	1903288	1903291
Polished Chrome	2	1903287	1903289	1903290
Polished Chrome	3	1782742	1903292   1903293   1782743	1782744
Polished Chrome	4	1818966	1818967	1818968
Satin Nickel	3	1903294	1903295	1903199

**Kit 1 Includes:** Spout and valve control module

**Kit 2 Includes:** Spout, valve control module and main supply hose (1/2" pipe x 3/8" comp. x 12" length)

**Kit 3 Includes:** Spout, valve control module, mixing valve and hot cold supply hoses and main supply hose (3/8" comp x 3/8" comp. x 12" length)

**Kit 4 Includes:** Spout, valve control module, thermostatic mixing valve and hot cold supply hoses and main supply hose (3/8" comp x 3/8" comp. 12" length)

### Optional Accessories:

402188 Thermostatic Mixing Valve

490137 Extension hose for lowering Valve Control Module

### Low Lead Compliant

Meets or Exceeds:

ASME A112.18.1/CSA B125.1

### Certifications:

IAPMO/cUPC

### Legislative Compliance:

Federal Safe Drinking Water Act (contains no more than 0.25% weighted average lead)

### Specifications

Auto/Open Valve Dial:

**AUTO** - enables automatic operation of valve.

**OPEN** - maintains open valve position for sanitary flushing. To reactivate automatic operation, turn dial to auto position and then place hand under faucet and remove.

Battery Power:

4D cell Alkaline (up to 3+ years life cycle)

Mounting Hole:

7/8" to 1 1/8"

Operating Water Pressure:

7-150 psi

Operating Temperature:

35°F to 159°F (2°C to 70°C)

Max Running Time:

15 Seconds

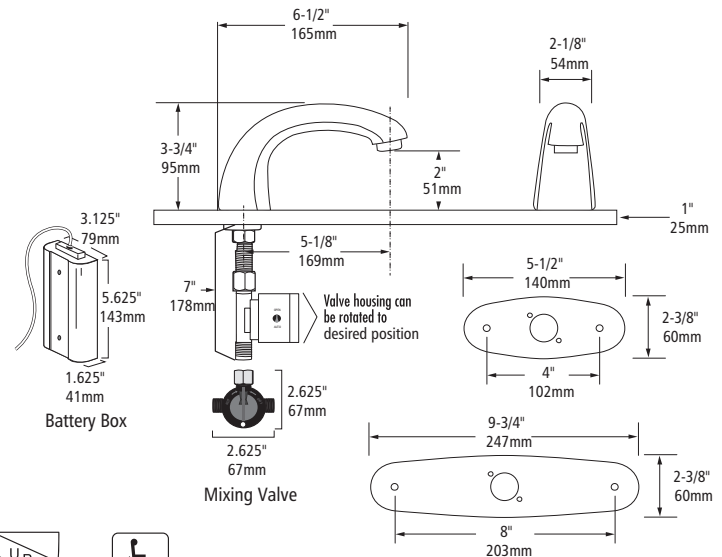
**Case Pack:** 1

**Case Weight:** 7 lbs.

**Case Cube:** 2.6 ft<sup>3</sup>

### Operations

- 1) "Surround Sensors" continuously scan the 3" detection zone around the spout.
- 2) When the user's hands come into range of the sensor's detection zone, the valve is activated.
- 3) After the user removes their hands, the valve closes. The circuit automatically resets for the next user.
- 4) Sensors will only detect animate objects.



Rubbermaid Commercial Products LLC  
3124 Valley Avenue  
Winchester, Virginia 22601

1-800-347-9800  
www.rubbermaidcommercial.com  
1904476 | November 2013