

AutoFlush® Clamp



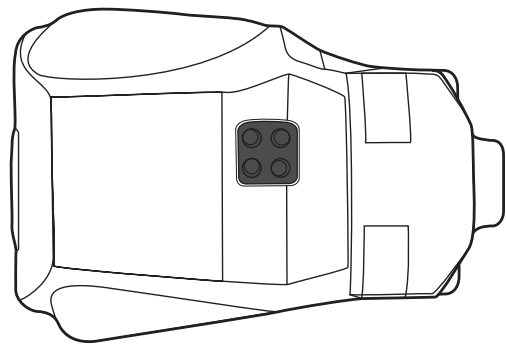
Next Generation
with Courtesy Flush (Toilets)
without Courtesy Flush (Urinals)
for Sloan and Zurn Models

INSTRUCTIONS

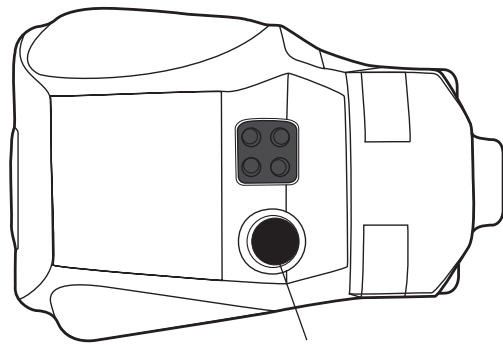
Manufactured by:
TECHNICAL CONCEPTS • 1-800-551-5155

AUTOFLUSH® COMPONENTS

AutoFlush® for Urinals



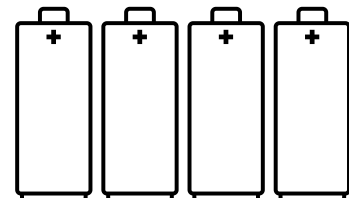
AutoFlush® for Toilets



Sensor
Adjustment Tool

Courtesy Flush Button

Allen Wrench

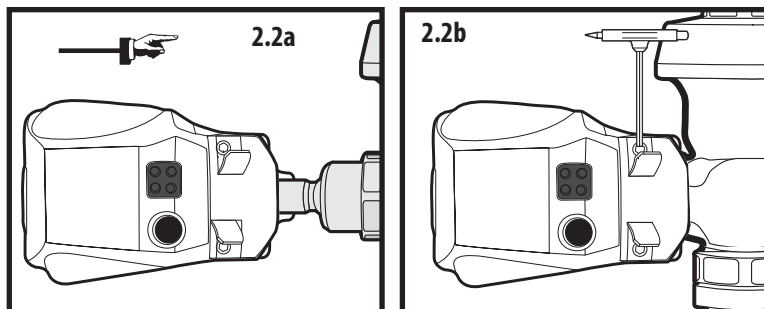
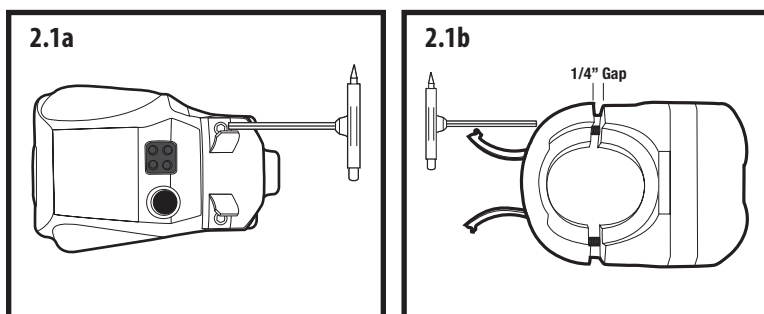


4 "C" Alkaline Batteries

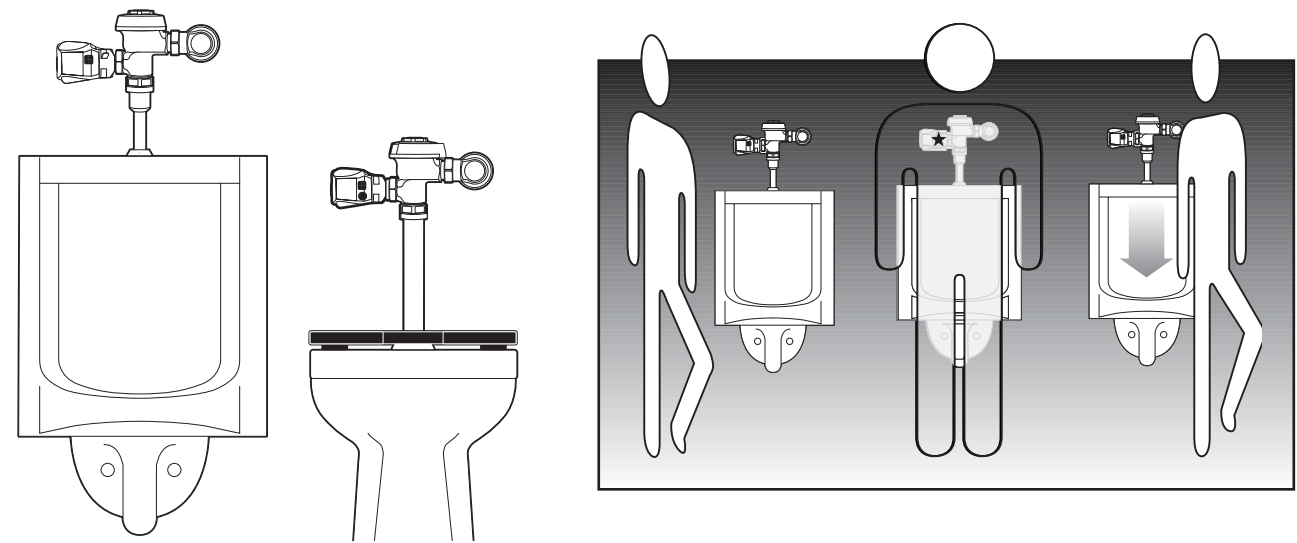
NOTE: Fits Sloan and Zurn flush handles. To fit other flush handles contact TC customer service at 800-551-5155.

Step 2.

- 2.1 Open hinged screw covers and loosen screws to leave a 1/4" gap between the base and mounting cover
- 2.2 Slide the AutoFlush® on to the flush handle and secure the mounting clamp over the existing handle base.



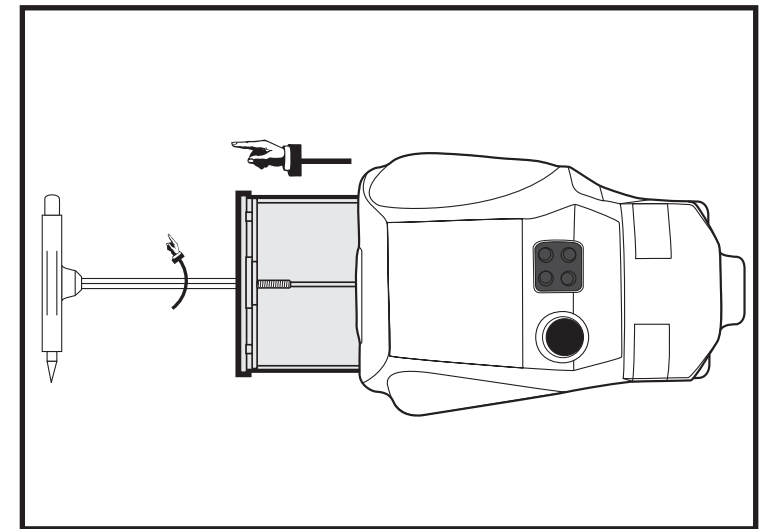
NOTE: If the unit is on a high mount toilet flush valve where the flush handle is approximately 40" above the floor, you should rotate the AutoFlush® down to ensure sensor is directed at user.



The AutoFlush® sends out a continuous infrared beam that is reflected back by the presence of a person in front of the urinal or toilet. "Object Lock" technology differentiates between someone walking past the unit or actually using the fixture.

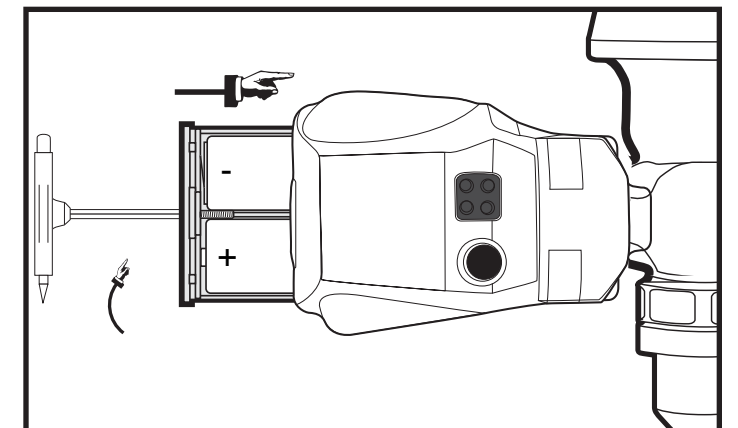
Step 1. If flush handle is leaking, replace before installing AutoFlush®

Using the supplied Allen wrench,
remove battery compartment.



Step 3.

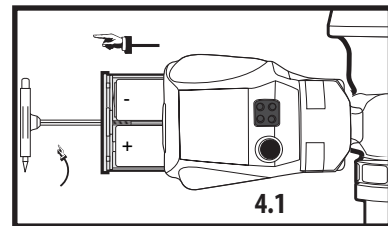
Install 4 "C" cell alkaline batteries into the battery compartment noting the battery position marks on the inside of the compartment. Slide the battery compartment into the AutoFlush® unit and secure compartment with Allen wrench. The last three turns of the wrench will activate the AutoFlush® unit.



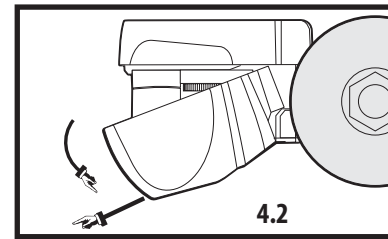
Step 4. ACTIVATION

Your AutoFlush® unit comes preset from the factory. If special circumstances require adjustment of the activation distance, see Appendix A—Adjusting Your AutoFlush®.

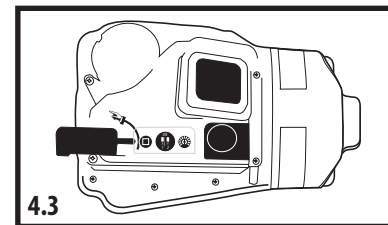
The AutoFlush® unit has a 7 minute start-up sequence in which the Object Lock Sensor will activate the User-In-View **green L.E.D.** continuously as long as a user or object is in view. After the start-up sequence is completed and when the Object Lock Sensor has a user in view, the User-In-View **green L.E.D.** will flash 3 times once the user is in front of the unit for a minimum of 5 seconds.



Use Allen wrench to remove battery compartment tray.



Remove cover by rotating the cover up at the end over the battery compartment and slide out.



Remove rubber seal.

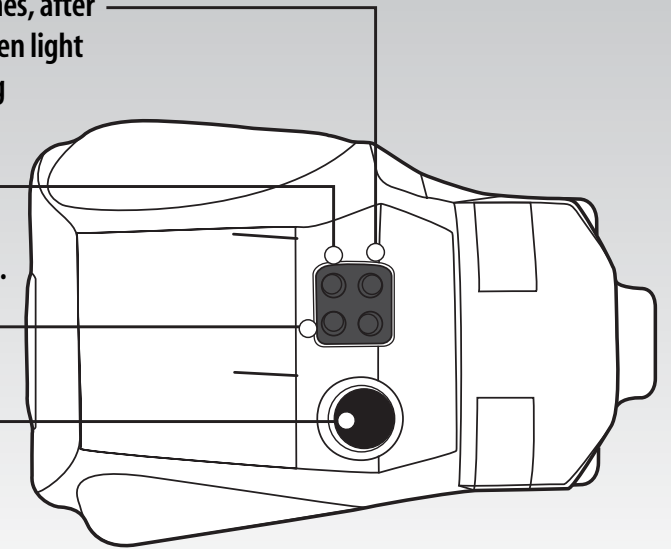
VISUAL INDICATOR GUIDE

USER-IN-VIEW L.E.D. (Green light flashes 3 times, after 5 second delay, when a user is in view. The green light flashes constantly when a user is in view during the 7 minute start up sequence).

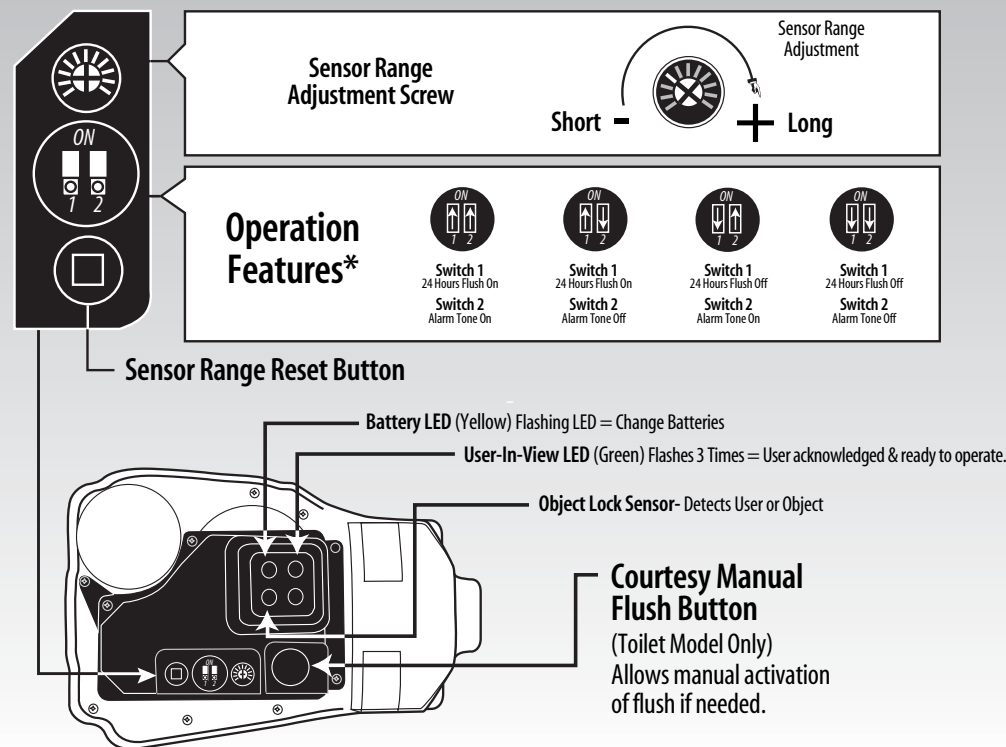
BATTERY L.E.D. (Yellow light flashes indicating it is time to replace batteries with 4 new “C” cell alkaline batteries).

OBJECT LOCK SENSOR (Detects user or object).

COURTESY MANUAL FLUSH BUTTON (Allows manual activation of flush when needed—Toilet model only).



APPENDIX A - ADJUSTING YOUR AUTOFLUSH®



TO CHANGE ACTIVATION DISTANCE FOR THE OBJECT LOCK SENSOR:

- 1 Remove battery compartment. See Step 1.
- 2 Remove cover. See illustration 4.2.
- 3 Replace battery compartment in AutoFlush® to activate unit and remove rubber seal. See Step 3.
- 4 Press sensor range reset button as indicated in Appendix A. NOTE: the green L.E.D. will flash continuously when it has an object in view for the seven minute reset period.
- 5 Stand at desired activation distance.
- 6 Use provided sensor adjustment tool and turn Sensor Range Adjustment Screw all the way down (counter clockwise) and then turn slowly up (clockwise) until green L.E.D. begins to flash.
- 7 Ensure Object Lock Sensor is not detecting stall door or wall by closing door, stepping out of sensor path and making sure green L.E.D. is not flashing. If sensor locks onto door or wall, unit will not flush properly. Shorten activation distance.
- 8 Remove battery compartment, and replace cover. Replace battery compartment tray to reactivate AutoFlush® unit.
- 9 After 7 minute start-up sequence, the green L.E.D. will flash only 3 times when a user is in view (after a 5 second delay).

TROUBLE SHOOTING GUIDE

PROBLEM	CAUSE	SOLUTION TO PROBLEM
Green L.E.D. (light) flashes 3 times when there are no users	Front of Object Lock Sensor is covered or Object Lock Sensor is set too far out, detecting the opposite wall or door as a user	Remove item covering sensor or adjust Object Lock Sensor activation distance. (See Appendix A - Adjusting the AutoFlush)
Green L.E.D. (light) flashes continuously when Object Lock Sensor is activated by a user	AutoFlush® unit is in 7 minute start up mode (when first activated) or Sensor Range Reset Button has been depressed	Green L.E.D. (light) will flash only 3 times acknowledging a user is in view after the 7 minute start up mode
Yellow L.E.D. (light) flashes	Batteries are low and need replacing	Replace batteries. Use ONLY alkaline batteries
Not enough water to fixture or too much water to fixture	Flush valve diaphragm damaged or valve control stop improperly adjusted	Consult flush valve manufacturers directions
Flush valve will not operate	Object Lock Sensor range set too close to AutoFlush®, batteries are dead, or water supply is turned off	Adjust Object Lock Sensor—Replace batteries—Turn water on. If the AutoFlush® does not begin to function, call (800) 551-5155 for technical assistance.
Water continuously runs	Dirt or debris preventing diaphragm from functioning properly	Consult flush valve manufacturer's directions
Unit does not flush even after Sensor Range has been adjusted	Dead batteries	Replace batteries.

Have Questions or Need Supplies?
Call Toll Free: 1-800-551-5155



Toll Free: 1-800-551-5155

World Headquarters:
Serving North & South America
Technical Concepts LLC.
1301 Allanson Road
Mundelein, Illinois 60060 U.S.A.
☎ 847-837-4100
☎ 1-800-551-5046

Web: www.technicalconcepts.com

European Headquarters:
Serving Europe, Africa & Middle East
Technical Concepts International Ltd.
Pin Green Business Park Eastman Way
Stevenage, Herts SG1 4UH, England
☎ +44 (0)870 568 6824
☎ +44 (0)1438 311200

Asian Headquarters:
Serving Asia & Pacific
Technical Concepts Asia
51 (B) Lorong Perindustrian Bukit minyak 9
14100 Bukit Mertajam, Penang, Malaysia
☎ (60) 4 508 5008
☎ (60) 4 508 5001

Email: info@technicalconcepts.com